



PRODUCT INFORMATION MyCaddy-Steh_TY_EN - 24.05.2023 - www.vs-furniture.com

MyCaddy Stand-at module.

Body consisting of a tubular-steel skeleton with 4 steel posts and a solid-sheet base, as well as melamine-resin-coated chipboard sides and a powder-coated, acoustically effective microperforated-sheet back panel. With design or technical castors or optionally with adjustable feet.

Front consisting of vertically sliding plastic roller shutter with metal bow handle.

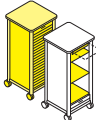
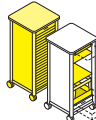
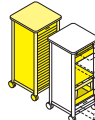
Cover top made of melamine-resin-, veneer- or linoleum-coated chipboard with glued-on plastic or beech edge and with either edged or rounded corners.

Organisation (depending on model) with open shelf compartment and adjustable shelf inserts of chipboard, with material drawer, suspension frame and telescopic pull-out section.

Roller shutter optionally with cylinder lock.

Equipment and options. Push or design handle, lockable mailbox with slit and business card holder for the format 85x55 mm.

The following material groups are available to choose from: Frame made of steel tube: M1,(chrome-plated); Roller cover made of plastic: C(astral silver); Body made of chipboard: L6; Cover top made of chipboard: L6; Cover top veneered: F1; Cover top made of Linoleum: L8.

					
MyCaddy			45108	45109	45110
w-d				49-49	
h design castor 7,5 (10)				111 (115)	
h special castor 7,5 (10)				112 (116)	
Organisation			1 material pull-out 2 adj. shelf inserts	1 material pull-out 1 adj. shelf insert 1 hanging fram	1 material pull-out 1 telescopic pull-out 1 hanging fram