



**PRODUCT INFORMATION** S901-Frei1Pla-UQVS\_TY\_EN - 05.12.2016 - www.vs-furniture.com

## Serie 901 Freely-shaped table I with square U-shaped leg, sideboard.

Construction with a centrally-positioned tubular-steel cross-member with welded-on brackets.

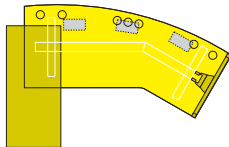
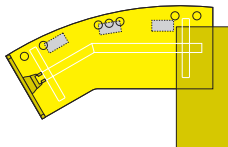
Table top of a LIGNOpal (melamine-resin), veneered or linoleum covered chipboard with plastic or wooden edges. The corners are square.

Electrification (optional) is provided 1.) by means of push-on plastic cable clips or 2.) in the side segment by a fabric trough which is hinged on both sides.

Cable outlets (optional) are achieved 1.) through a maximum of 4 metal outlets or 2.) by means of an E-Box for power and data connections, in each case on the left, in the middle and on the right.

Supporting element (refer to table for position) consists of a U-shaped square tubular-steel leg of powder-coated steel and a docking position for a sideboard. Optional step height adjustment of the leg.

The following material groups are available to choose from: Frame made of steel tube: M2; Top made of LIGNOpal-plastic/beechn: L6; Top made of linoleum: L8; Top veneered: F1.

|  |                  |  |   |       |
|--|------------------|--|---|-------|
| ...-UQVS<br>...-VSUQ                                 |                  |  |  |       |
| L: U-shaped square tube<br>R: prepared for sideboard | d = 90 / 80      |  |   | 21567 |
| L: prepared for sideboard<br>R: U-shaped square tube | d = 80 / 90      |  | 21566   |       |
|  | Monitor position |  | on the left / on the right  |       |
|  | h =              |  | 72 (68-80)  |       |
|  | w =              |  | 229   |       |