



PRODUCT INFORMATION S901-Frei1Pla-STVW_TY_US - 06.12.2016 - www.vs-furniture.com

Series 901 Freely-shaped table I with post with disc foot, cubic container.

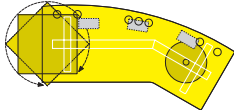
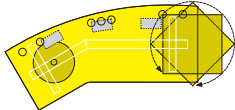
Construction with a centrally-positioned tubular-steel cross-member with welded-on brackets.
Table top of a LIGNOpal (melamine-resin), veneered or linoleum covered chipboard with plastic or wooden edges.
The corners are either square or rounded.

Electrification (optional) is provided 1.) by means of push-on plastic cable clips or 2.) in the side segment by a fabric trough which is hinged on both sides.

Cable outlets (optional) are achieved 1.) through a maximum of 4 metal outlets or 2.) by means of an E-Box for power and data connections, in each case on the left, in the middle and on the right.

Supporting element (refer to table for position) consists of a post of powder-coated steel with disc foot (stainless-steel cover) and a docking position for a cubic pedestal. Optional step height adjustment of the post.

The following material groups are available to choose from: Frame made of steel tube: M2; Top made of LIGNOpal-plastic/beechn: L6; Top made of linoleum: L8; Top veneered: F1.

...-STVW ...-VWST			
L: Supporting post with disc foot R: prepared for cube pedestal	d = 35½ / 31½		21567
L: prepared for cube pedestal R: Supporting post with disc foot	d = 31½ / 35½		21566
	Monitor position	on the left / on the right	
	h =	28¾ (26¾-31½)	
	w =	90¼	