



PRODUCT INFORMATION S901-Frei1Pla-UQVS_TY_US - 06.12.2016 - www.vs-furniture.com

Series 901 Freely-shaped table I with square U-shaped leg, sideboard.

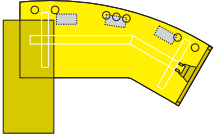
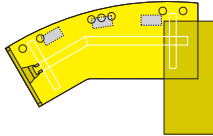
Construction with a centrally-positioned tubular-steel cross-member with welded-on brackets.
Table top of a LIGNOpal (melamine-resin), veneered or linoleum covered chipboard with plastic or wooden edges.
The corners are square.

Electrification (optional) is provided 1.) by means of push-on plastic cable clips or 2.) in the side segment by a fabric trough which is hinged on both sides.

Cable outlets (optional) are achieved 1.) through a maximum of 4 metal outlets or 2.) by means of an E-Box for power and data connections, in each case on the left, in the middle and on the right.

Supporting element (refer to table for position) consists of a U-shaped square tubular-steel leg of powder-coated steel and a docking position for a sideboard. Optional step height adjustment of the leg.

The following material groups are available to choose from: Frame made of steel tube: M2; Top made of LIGNOpal-plastic/beechn: L6; Top made of linoleum: L8; Top veneered: F1.

...-UQVS ...-VSUQ			
L: U-shaped square tube R: prepared for sideboard	d = 35½ / 31½		21567
L: prepared for sideboard R: U-shaped square tube	d = 31½ / 35½		21566
	Monitor position	on the left / on the right	
	h =	28¾ (26¼-31½)	
	w =	90¼	