



**PRODUCT INFORMATION** S901-SinusPla-SVVS\_TY\_US - 06.12.2016 - www.vs-furniture.com

## Series 901 Sinusoidal table with post with V-shaped foot, sideboard.

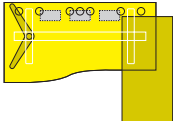
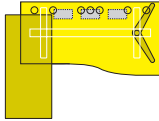
Construction with a tubular-steel cross-member positioned parallel to the back edge with welded-on brackets. Table top of a LIGNOpal (melamine-resin), veneered or linoleum covered chipboard with plastic or wooden edges. The corners are either square or rounded. Optional sliding top.

Electrification (optional) is provided 1.) by means of push-on plastic cable clips or 2.) by a fabric trough which is hinged on both sides.

Cable outlets (optional) are achieved 1.) through a maximum of 4 metal outlets or 2.) by means of an E-Box for power and data connections, in each case on the left, in the middle and on the right.

Supporting element (refer to table for position) consists of a post with V-shaped foot of powder-coated steel and a docking position for a sideboard. Optional step height adjustment of the post.

The following material groups are available to choose from: Frame made of steel tube: M2; Top made of LIGNOpal-plastic/beechn: L6; Top made of linoleum: L8; Top veneered: F1.

|  |  |  |   |
|--|--|--|---|
| ...-SVVS<br>...-VSSV   | The table heights printed light grey are not possible with the listed supporting elements. |  |  |
| L: Supporting post with V-shaped foot<br>R: prepared for sideboard | d = 33½ / 27⅞<br>d = 37⅞ / 31½   | 21550<br>21554   |   |
| L: prepared for sideboard<br>R: Supporting post with V-shaped foot | d = 33½ / 27⅞<br>d = 37⅞ / 31½   |  | 21551<br>21555  |
|  | Monitor position   | on the left  | on the right  |
|  | h =  | 28⅞ (26¾-31½)  |   |
|  | w =  | 70⅞  |   |