



PRODUCT INFORMATION S901-UBau-VS-Mi_TY_US - 25.06.2018 - www.vs-furniture.com

Series 901 Supporting sideboards (medium).

Construction of an glued body out of melamine-resin-coated LIGNOpal chipboard. Sideboards for fixed table heights or continuously adjustable in height by means of a winding handle.

Front and body of melamine-resin laminated or veneered LIGNOpal chipboard and metal bow handles.

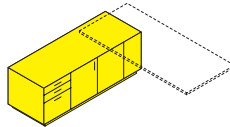
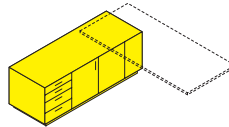

Drawers with central locking. Drawers with either single or over-extension, 6.5 HU (height units) drawers always with over-extension.

Technical compartment (2-part) with folding/sliding door at the front. Left compartment with a printer drawer.

When heat-producing equipment is used, the sideboard must be fitted with a perforated-metal back for ventilation purposes. The two table posts integrated in the body minimise the storage space of the technical compartment.

Electrification (optional) at the rear with fold-down perforated-metal back (see above). Cable outlet through holes with metal inserts.

The following material groups are available to choose from: Body made of LIGNOpal: L3; Front made of LIGNOpal: L3.

						
Sideboard (medium)		21672	21673	21674	21675	21691
w-h-d			64¼-22½-23½%			
HE		1,5+2+6,5/10		1,5+2+3+3,5/10		
Position on the table		left	right	left	right	
Table height			28% (26¾-34%)			
Office accessories		Set 1		Set 11		